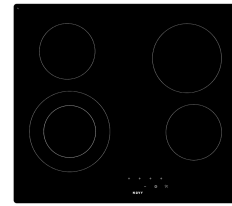


Ceramic - Comfort
4-zones 60 cm
Glass

EAN 5414425011094



Cooking Zones

- 4-zones
- Front left : 1000/2200 W - 135/210 mm
- Rear left : 1200 W - 145 mm
- Front right : 1200 W - 145 mm
- Rear right : 1800 W - 180 mm

Functions & features

- | | |
|-----------------------------|-------------------|
| ▪ Grill function | - |
| ▪ Automatic pan recognition | - |
| ▪ Residual heat indication | ▪ |
| ▪ Childproof lock | ▪ |
| ▪ Pause function | - |
| ▪ Timers | Automatic cooking |

Design

- | | |
|----------------------|----------------------|
| ▪ Control method | Slider touch control |
| ▪ Info display color | Red |
| ▪ Glass edge | Bevelled |
| ▪ Mounting method | Surface, Flushline |

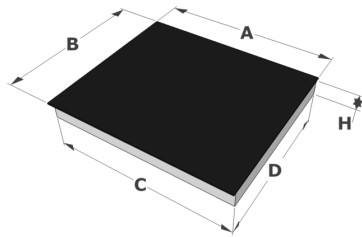
Dimensions

- | | |
|-----------------------------------|----------------|
| ▪ Product dimensions (WxDxH) (mm) | 590 x 520 x 41 |
| ▪ Cut-out worktop (WxD) (mm) | 560 x 490 |

Technical specifications

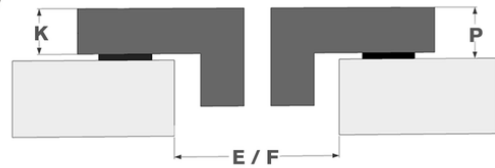
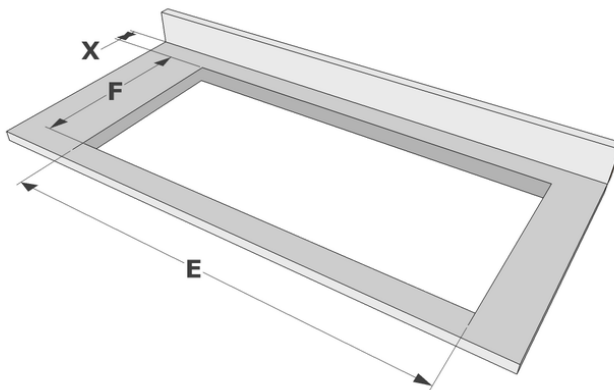
- | | |
|-------------------------|---------------|
| ▪ Maximum power | 6400 |
| ▪ Electrical connection | 220-240V 1L+N |
| ▪ Frequency (Hz) | 50-60 |
| ▪ Net weight (kg) | 6 |

Dimensions



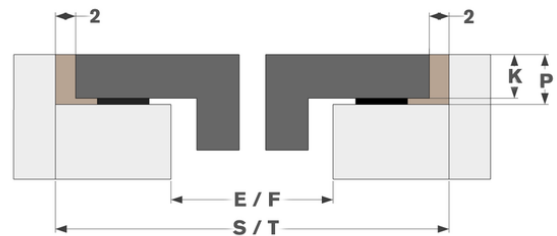
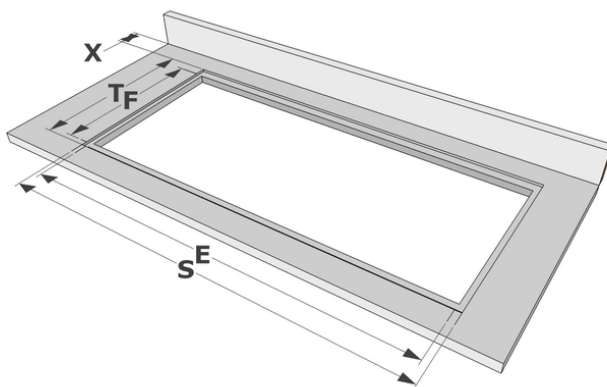
	A	B	C	D	H
mm	590	520	550	483	41

Surface



	E	F	K	P	X
mm	560	490	4	6	

Flushline



	E	F	S	T	K	P	X
mm	560	490	594	524	4	6	